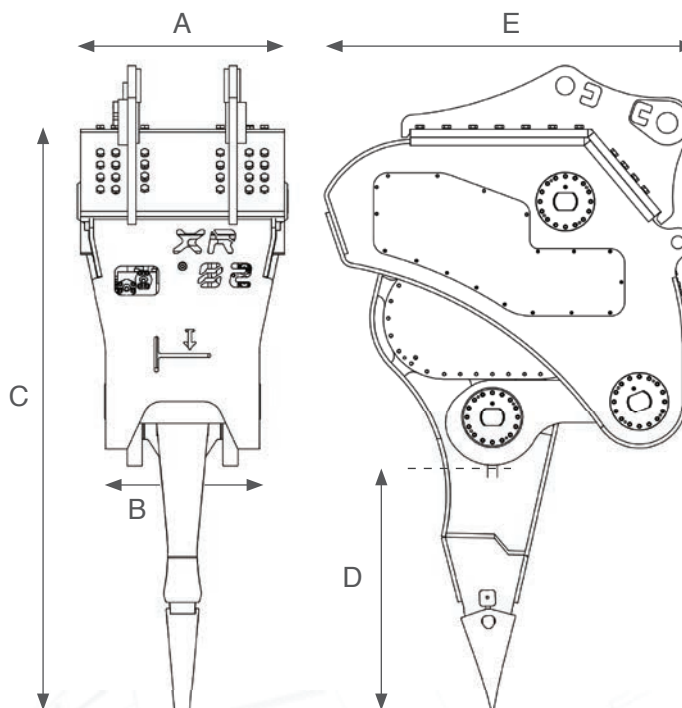




XR32



TECHNICAL SPECIFICATIONS		XR32
Excavator weight	Tons	24 - 32
Ripper operating weight (incl. top bracket)	kg	3.710
Ripper operating weight (top bracket not included)	kg	3.300
Hydraulic working pressure	MPa	24
Hydraulic oil flow	L/min	190
Frecuency	1/min	1.100



XR32	
A	775
B	635
C	2.715
D	1.160
E	1.660

* Dimensions in millimeters.

XCENTRIC RIPPER INTERNATIONAL, S.L.

Arriurdina, 15 • 01015 Vitoria-Gasteiz (Spain) • Tel.: +34 945 290 555

www.xcentricripper.com